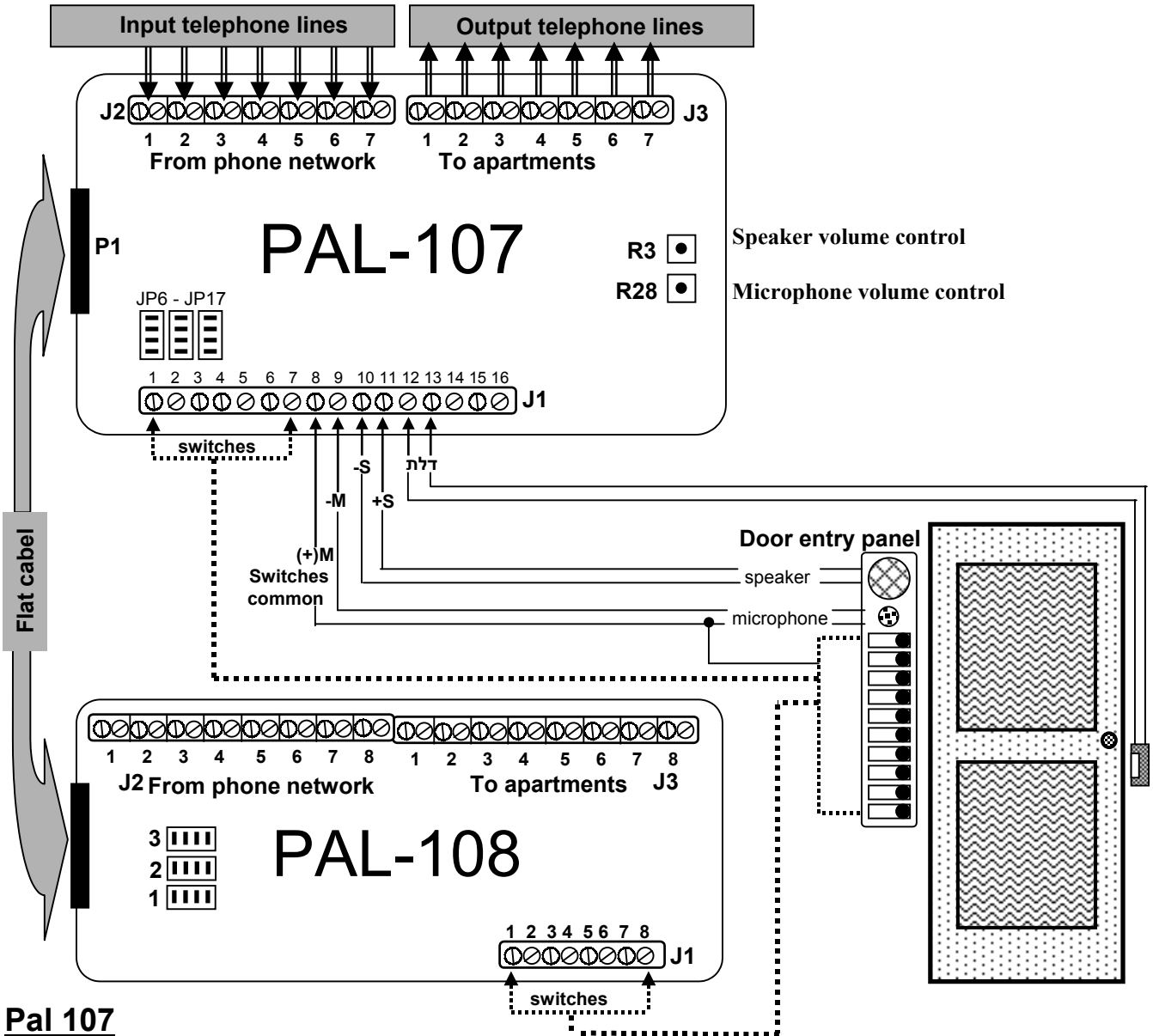


Pal - 107



Pal 107

- J1** – 1 – 7 : To switches in the door entry panel,apartments 1-7.
- 8 : To switches common and microphone (+).
- 9 : Microphone (-).
- 10 : Speaker (+).
- 11 : Speaker (-).
- 12-13 : To electric lock.

J2 – Inputs lines of apartments 1-7.

J3 – Outputs lines to apartments 1-7.

P1 - for connection between pal107 to pal108

Jp6-Jp17 –3 groups of jumpers, for adding pal108 units.

R3 – Speaker volume control.

R28 – Microphone volume control.

Pal 108

J1 – 1 – 8 : To switches in the door entry panel,apartments 1-8.

J2 – Inputs lines of 8 more apartments.

J3 – Outputs lines to more 8 apartments.

P1 - for connection between pal107 to pal108