



## Additional eDoors connection

You may add up to 3 additional eDoors to the same door extension.  
The connection should be parallel to the first eDoor.  
You should configure the eDoor's number.  
In order to configure another eDoor you must disconnect the others,  
and configure one at the time, also the first one should be configured  
as eDoor 1.

**Example:** Set second eDoor (after disconnected all the others)

		#719	*1234 *	78*	02 *
	Dial ext.	Admin code	Operation code	eDoor no.	

Dial #711 to contact eDoor 1  
Dial #712 to contact eDoor 2  
Etc...

**Open Door** – answer phone and  
press 8 .

**Mic. Volume** – answer phone and  
press 4 – 4 volume modes.

**Spk Volume** – answer phone and  
press 6 – 4 volume modes.

**Initiate a call to the Panel** – lift  
handset and dial the panel  
extension.

## Connection and operation guide

# eDoor

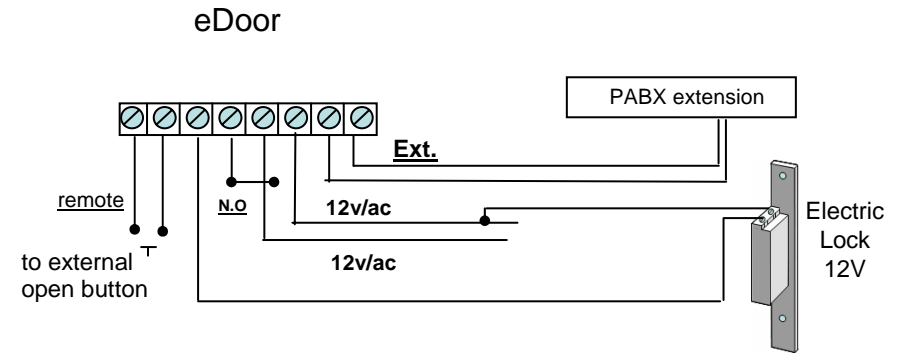
Extension Door Phone for eMAX PABX

## Programming

Program from any extension of the PBX. Dial the panel #719 , on panel reply press:  
 \* admin code \* operation code \* value\* . Default admin code is 1234

Operation description	code	Default value	Program sequence → → →
Change admin code	00	1234	#719 *1234* 00 * ???? *
N.O relay active duration (s)	73	04	#719 * 1234* 73 * ?? *
Activation delay of relay when external button pressed	74	01	#719 * 1234* 74 * ?? *
Limit talk time with eDoor (s)	76	60	#719 * 1234* 76 * ?? *
Reset all (less admin code)	91		#719 * 1234* 91 * 99 *
Reset admin code			#719 * 4848* power off & on

## Connection to Board



### Name change

Remove screw as shown and remove black plastic cover.



### Electric lock connection

